

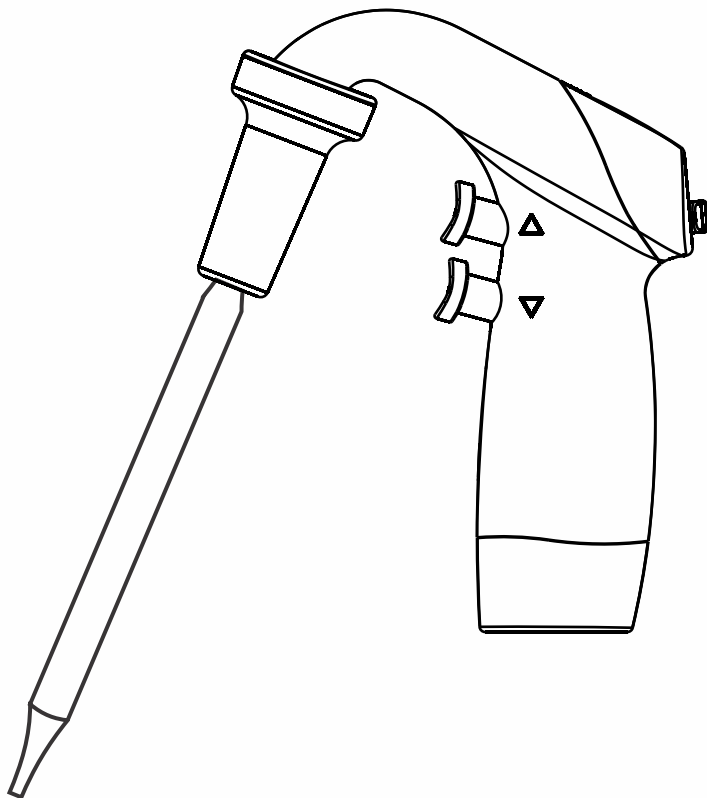


Contents

Introduction	4
Safety Precautions	5
Charging	5
Charging on Desktop Stand	6
Pipetting	7
Speed Control	7
Aspirating (Filling the Pipet)	7
Dispensing	7
Desktop Stand with Serological Pipet	8
Replacing the Filter	8
Battery Replacement	9
Pipet Filler Kit Comprises	9
Trouble Shooting	10

Introduction:

Fisherbrand motorized pipet filler is designed for cordless work with glass or plastic pipets in the 0.1 - 100 ml range. It is ergonomically shaped and features a light weight handle, smooth push buttons, autoclavable nose piece and conveniently located slide switch to ensure effortless pipetting. The engine's high performance micro pump ensures it is powerful but quiet. The engine also features 3 speed modes and has a continuous working limit of 8 hours. Each pipettor comes with a replaceable membrane filter to protect the device from contaminants being drawn into the pipet.



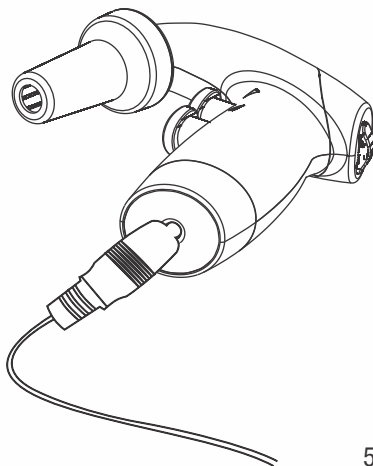
Safety Precautions:

Before operating pipet filler, it is recommended to read the operating instructions carefully.

- Protective clothing, goggles and gloves should be worn.
- Observe the reagent manufacturer's safety instructions.
- Never use with highly flammable liquids.
- Do not use the pipet filler with liquids whose vapors damage the following plastics :
- ABS, PA, Silicon, POM etc.
- Never use the instrument in an atmosphere with danger of explosion.
- Only the original charger supplied by the manufacturer should be used for charging battery.
- Only original spare parts and accessories should be used.
- In case of incorrect functioning pipet filler, follow the trouble shooting procedures provided in this manual.
- Store the pipet filler on the wall bracket when not in use. Do not store the pipet filler with a filled pipet.

Charging:

The pipet filler has a low battery LED indicator. If the LED lamp lights up in red, it means the batteries need to be charged. The charger provides protection against over charging, short circuit & over heating. The mains outlet voltage must conform to the specification of the charger. Use of different chargers may damage the batteries.

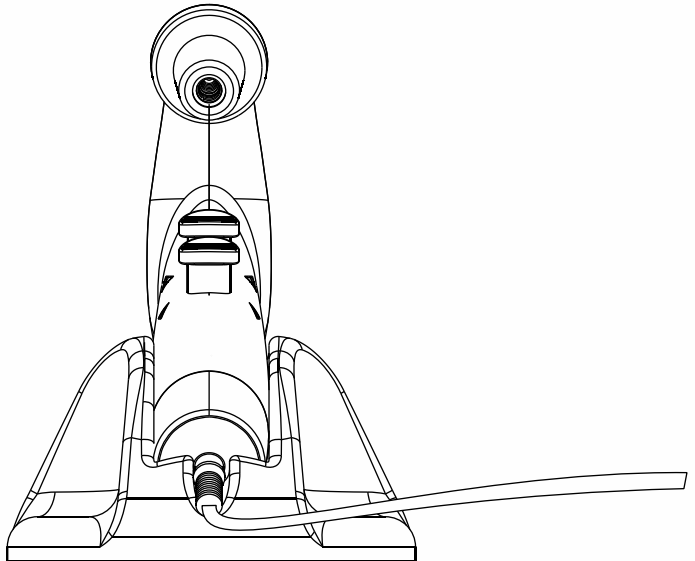


- Plug the charger jack into the pipet filler.
- Plug the charger into a suitable wall socket. The charger's indicator light will light up indicating charging process has started.
- The charger will be fully charged in 3-4 hours.
- Once batteries are fully charged, the charger automatically stops charging and the red indicator light will turn green.
- This device is equipped with (2) 1000 mAh NiMH type rechargeable batteries.

Note: The pipet filler can be used during charging.

Charging on Desktop Stand:

The pipet filler can also be charged when it is placed on the desktop stand.



Pipetting:

First check the pipet to ensure it is not damaged and has no dents or sharp edges near the top. Check whether the upper gripping part is dry. Carefully hold the pipet and insert it securely into the nose cone. The pipet filler should only be held in a vertical position with the tip down once the pipet has been inserted unless the pipet filler is resting in the desktop stand.

Speed Control:

Set the pump speed using the H / L / G Switch

H : High Position - Fast aspirating and fast dispensing

L : Low Position - Slow aspirating and slow dispensing

G : Gravity Position - Slow aspirating and dispensing by gravity force only

The L position is recommended when using pipets with volumes lower than 5 mL and the H position for volumes greater than 5 mL.

The speed of aspirating & dispensing can be manually controlled by adjusting the amount of pressure applied to the trigger buttons.

Aspirating (Filling the Pipet):

To aspirate, slowly press the upper pipetting trigger. Draw up the liquid until the meniscus of the liquid aligns exactly with the desired volume mark on the pipet.

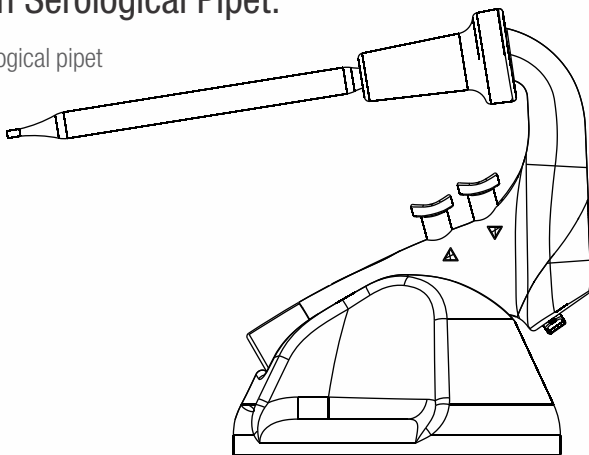
Dispensing:

To dispense, slowly press the lower pipetting trigger. The liquid will start dispensing.

Note : It may happen that during gravitational force dispensing the pipet is not completely emptied due to the characteristics of pipets used with the pipet filler.

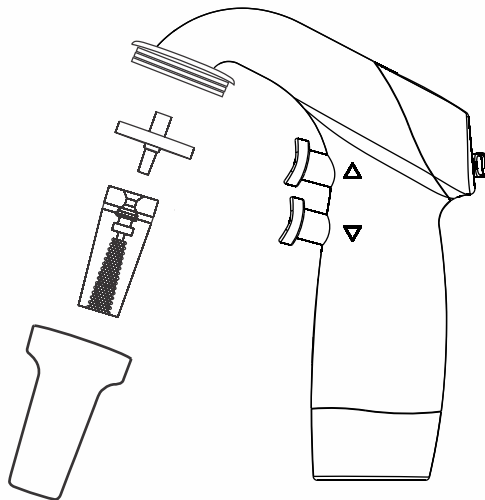
Desktop Stand with Serological Pipet:

Pipet filler can hold the serological pipet while resting on it.



Replacing the Filter:

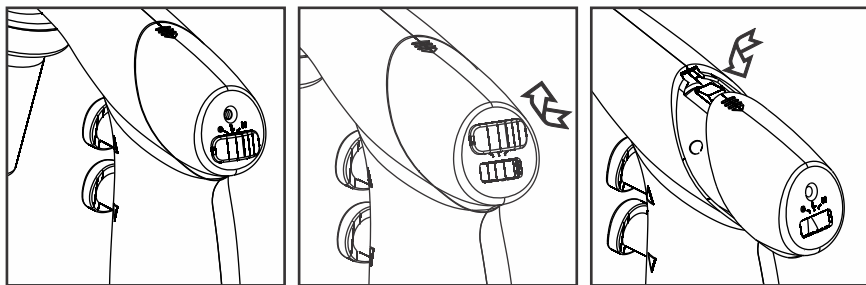
- Unscrew the nosepiece.
- Pull out the membrane filter and the silicon pipet holder.
- Rinse the silicon holder containing safety valve using a wash bottle.
- Blow liquid out of the silicon holder and leave it until it is completely dry.
- Place the new membrane filter, assemble the device in reverse order and carry out leak test.



Note: Only use genuine manufacturer recommended filters and accessories.

Battery Replacement:

To replace the battery first remove the 3 mode switch cover as shown in the figure by applying pressure on its lower side. Now remove the batteries, compartment cover by pressing the embossed arrow and simultaneously sliding it back. Remove the batteries. Insert new batteries and reverse the above procedure. Put the batteries compartment & switch cover back into place.



Pipet Filler Kit Comprises:

- Pipet filler
- Charger
- Desktop Stand
- Wall mount bracket
- Two spare membrane filters
 1. 0.20 μm
 2. 0.45 μm
- Instruction Manual
- Warranty Card

Trouble Shooting:

Trouble	Possible Cause	Remedy
Suction capacity is low or No aspiration	Low motor speed is selected	Increase motor speed
	Check valve is blocked	Clean the valve by applying air pressure to the inside of the silicon adapter, this will remove any impurities. If it is wet – rinse it and dry
		If it is displaced try to set it in the right position
	Filter is dirty or wetted	Replace filter
	Batteries out of charge	Charge batteries
	Pipet holder is damaged	Replace it
	Battery defective	Replace batteries
	Battery wrongly inserted	Insert correctly
Sterile nose cone not tightly screwed	Tighten the nose cone	
Pipet Drips	Pipet not securely positioned in silicon pipet holder	Reattach firmly
	Pipet holder is damaged	Replace
Reduced operating time with fully charged batteries	Wrong battery type	Use only original batteries

Note: If recommendations in the trouble shooting section do not solve current problems, contact your authorised dealer or the manufacturer directly.

Find out more at eu.fishersci.com

© 2017 Thermo Fisher Scientific Inc. All rights reserved.
Trademarks used are owned as indicated at fishersci.com/trademarks.

To order online : eu.fishersci.com

